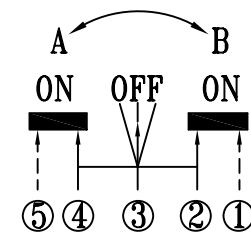
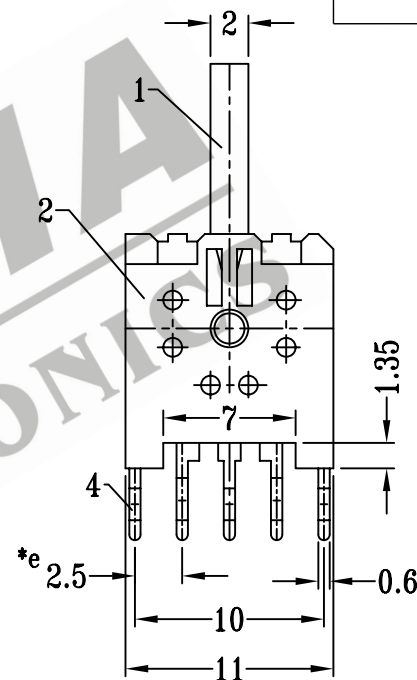
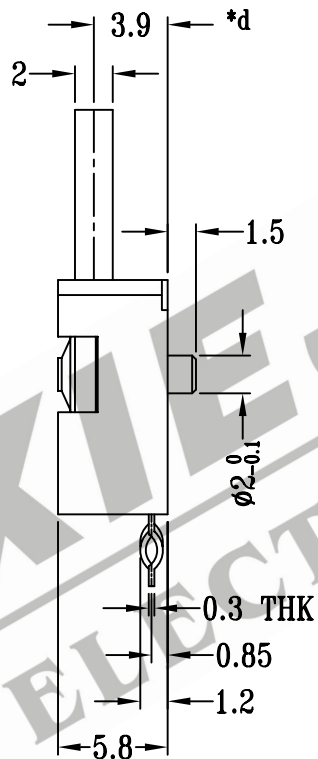
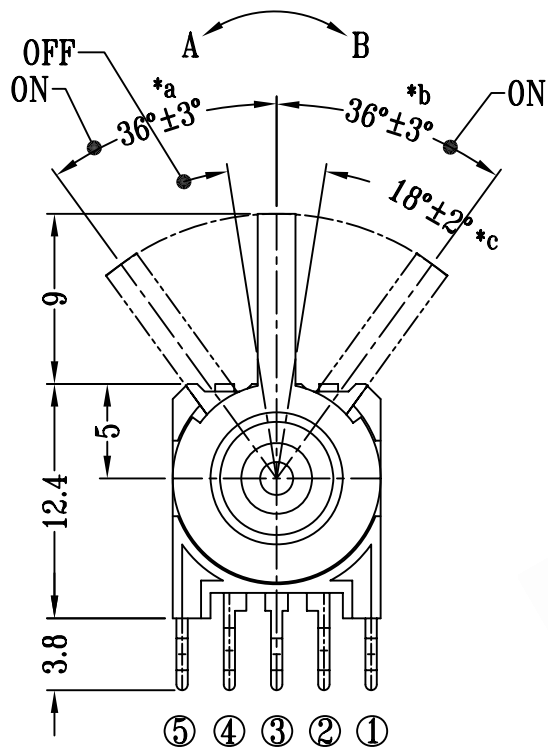
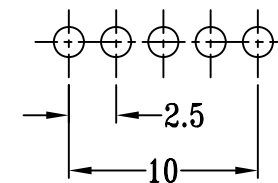


CAD FILE:



SCHMATIC



P.C.B LAYOUT

注：“*”表示关键尺寸（5个）

NO.	PARTS	MATERIALS	Q'TY	FINISH	TOLERANCE UNLESS SPECIFIED	SHENZHEN XIEJIA ELECTRONICS CO.,LTD.				
8						TITLE : CD ROM SWITCH MODEL: CDR-3301				
7										UNIT : mm
6	SPRING	SUS304	1	NATURAL	WITHIN: 1.5±0.1mm OVER : 1.5±0.2mm	ISSUE	DATE	DESCRIPTIONS OF REVISION		APPD.
5	CONTACT	PBS	1	Ag CLAD				DRWG NO.: XJ-DR-CDR3301-00		
4	TERMINAL	BRASS STRIP	5	Ag PLATED OVER Ni PLATED				DWN.	ZHOUYU	2000-8-13
3	WASHER	SUS301-3/4H	1	WASHING				CHK'D	FANGYING	2000-8-13
2	CASE	PBT+94V0+30%GLASS(3316)	1	BLACK				APPD.	KANGXINAN	2000-8-13
1	LEVER	POM	1	WHITE				ALL MATERIALS MUST BE COMPLIANT TO ROHS		